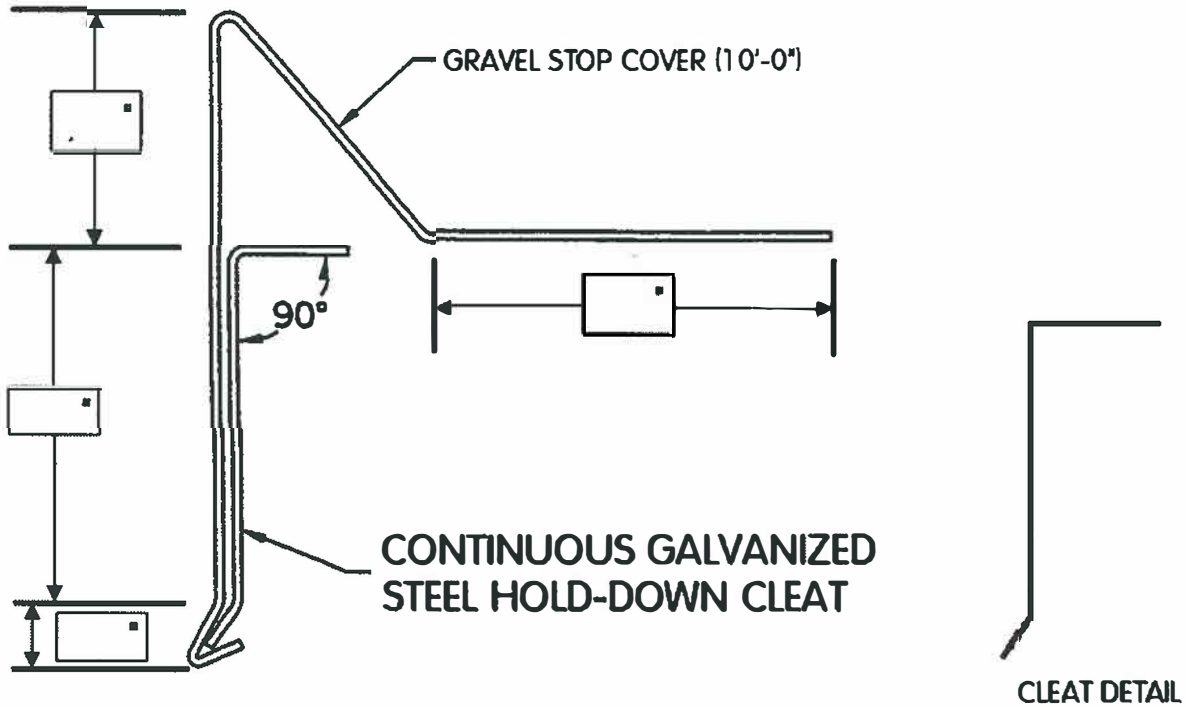


RMS - GRAVEL STOP

2 TO 10" FACE HEIGHT WITH CONTINUOUS CLEAT VERSION



PRINT APPROVAL: Fabrication will proceed **ONLY** after receipt of signed approval. Architect and/or Contractor shall verify all dimensions, sizes and quantities.

APPROVED BY: _____ DATE: _____

MATERIAL: _____ QUANTITIES: _____ LF
(LINEAL FEEL 10'-0" LENGTHS)

- 24 GA. STEEL
- 22 GA. STEEL
- .032" ALUMINUM
- .040" ALUMINUM
- .050" ALUMINUM
- OTHER

COLOR: _____

FINISH: _____

NOTES:

- Includes 6" wide concealed plates
- Concealed Splice Plates must be field caulked to prevent water entry

ARCHITECT/CONTRACTOR NOTES: _____

PROJECT: _____ ARCHITECT: _____

CONTRACTOR: _____ REPRESENTATIVE: _____